

EzyFast

Instruction Manual



Beach Gazebo 6'x6'

WARNING:

- KEEP ALL FLAME AND HEAT SOURCES AWAY FROM THIS TENT FABRIC.

This tent is made with fabric that meets CPAI-84 specification for flame resistance. It is not fire proof. The fabric will burn if left in continuous contact with any flame source. The application of any foreign substance to the tent fabric may render the flame-resistant properties ineffective.

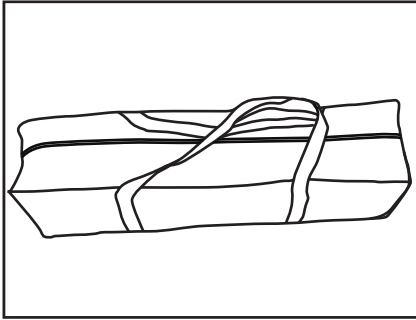
- Always peg down and secure your gazebo with guy ropes. It's crucial to do this any time you have the gazebo up to minimize the impact of unexpected wind gusts.
- This gazebo is for sun shade only. Do not use in very windy or rainy weather. Wind and rain can damage the gazebo and may also result in injury to you or others. Please take a minute to take down the gazebo before extreme weather events.
- Be cautious when handling the frame. Avoid pinching hands or fingers in any moving parts as frame opens and closes.
- The gazebo is designed as a temporary sun shelter, not a permanent structure. Do not leave up for extended periods and do not leave the gazebo unattended. Take down the gazebo and store away after use.
- Do not use your gazebo in lightning storms or in extreme weather conditions.
- The set up of this gazebo requires a minimum of two people. Keep children away from the set up area.

CARE AND MAINTENANCE

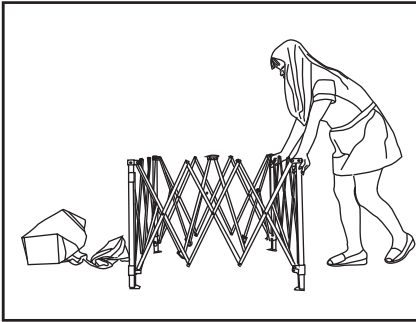
- Wash frame and canopy with a mild solution of soap and water, rinse thoroughly. Dry completely. Do not use bleach or solvents.
- Inspect frame periodically to ensure all bolts and nuts are tight.
- Always return the gazebo to storage bag after use. Suggest to take the canopy off the frame for separate storage in the bag. Be sure the canopy is completely dry before storing it.

SET-UP INSTRUCTIONS

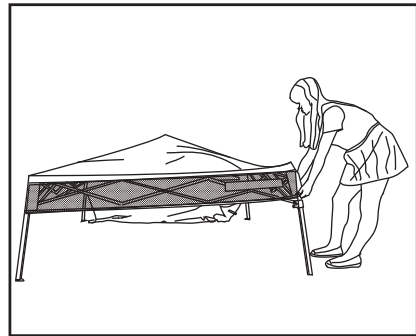
IMPORTANT: DO NOT USE EXCESSIVE FORCE DURING ANY PART OF SET-UP



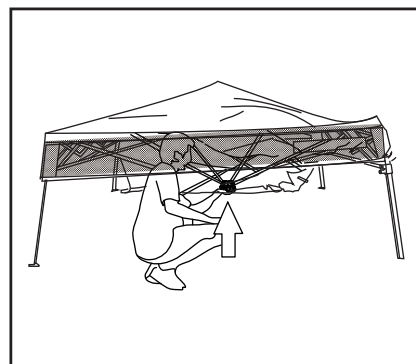
1. Take out the frame and canopy top from the carrybag and stand the frame on its feet.



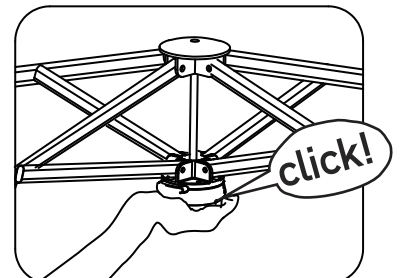
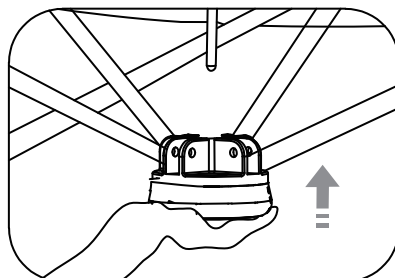
2. Pull opposite corners away from each other to expand frame as far as possible.

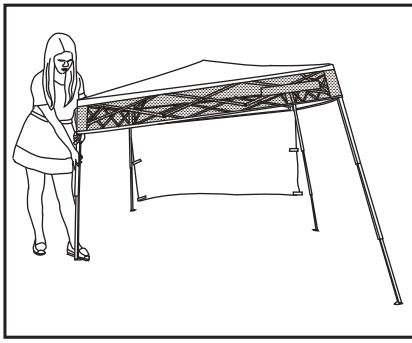


3. Place the canopy over the top frame. Use the Velcro pads to secure the canopy to the frame at each corner.

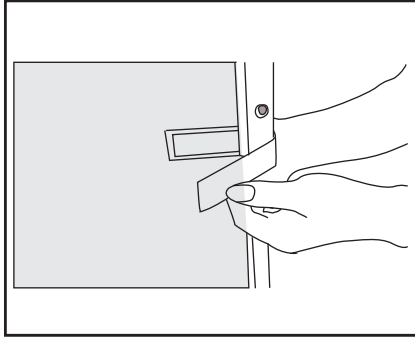


4. Go under the gazebo and lift the central hub up till it clicks into the central pole.

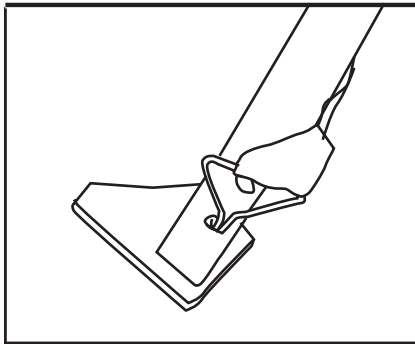




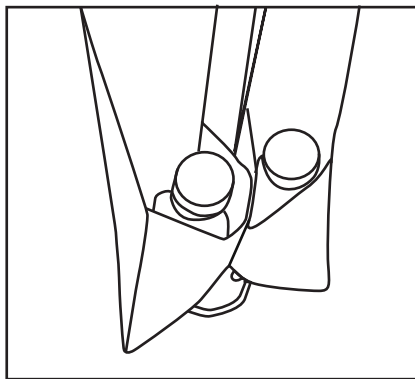
5. Gently pull out the telescopic legs stage by stage till the spring button pops in position. There are three telescopic leg heights. Please do not push in the spring button while pulling the legs and do not over pull each leg! You may lower the height by pressing the pin in and re-adjusting to the desired height. Repeat for each leg.



6. Drop the sunblock fabric wall and attach to the legs.



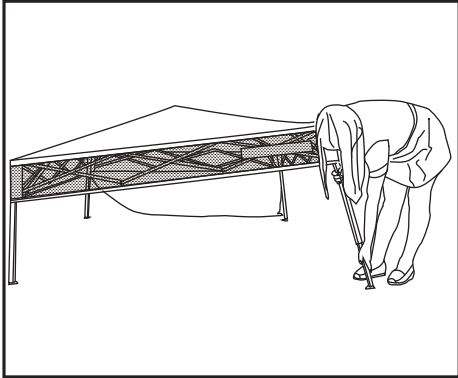
7. Pull down the leg fabric and hook onto the hole of lower leg .Repeat on the remaining legs.



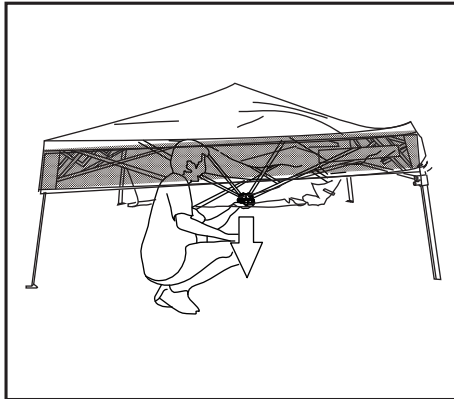
8. Weight pockets on the leg fabric can be filled with sand or water bottles to help hold down the Gazebo.

PACK-DOWN INSTRUCTIONS

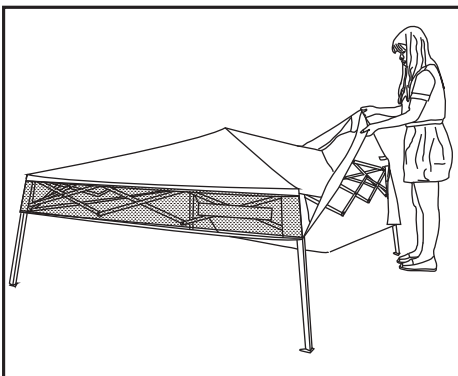
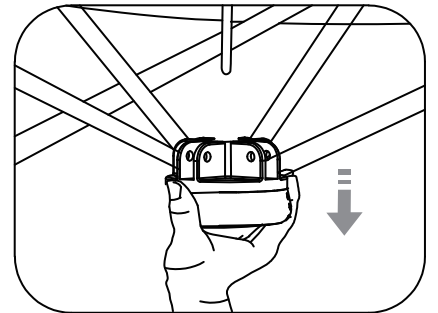
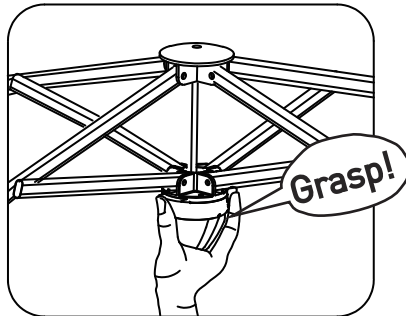
IMPORTANT: DO NOT USE EXCESSIVE FORCE DURING TAKING-DOWN. PLEASE REMOVE ANCHORS BEFORE TAKING DOWN.



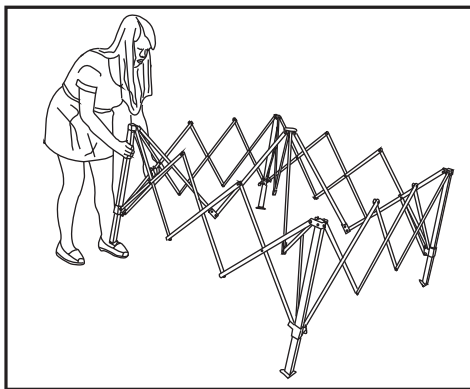
1. Release the spring button lock and shorten the telescopic legs.



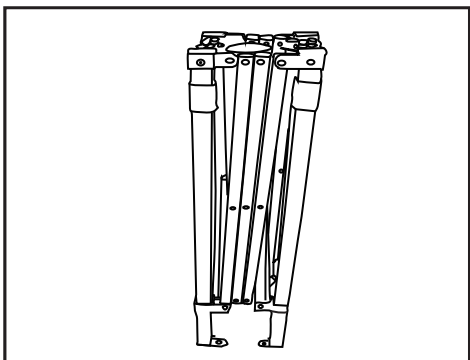
2. Go under your gazebo, grasp the central hub, pull downward the central hub slowly.



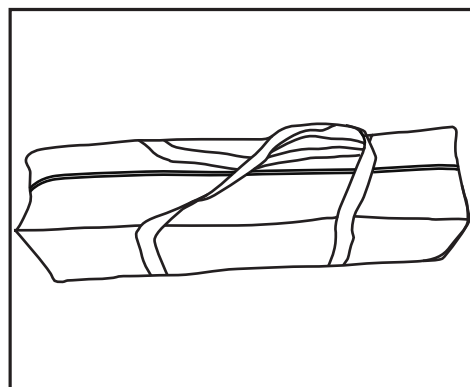
3. Remove the canopy top from the frame and fold it up nicely. Do not put it in the carrybag before frame.



4. With all four corner locking released , lift and walk one corner of the frame towards the opposite corner to close the frame.
Be cautious not to pinch hands or fingers!



5. Fully compress frame so it will fit easily into the bag.



6. Put the compressed frame into the carrybag and then slide the folded canopy into the carrybag too. Zip the carrybag.
Ensure canopy and gazebo is completely dry before storing away.

www.ezyfast.net

Email: service@ezyfast.net

V1. 2021